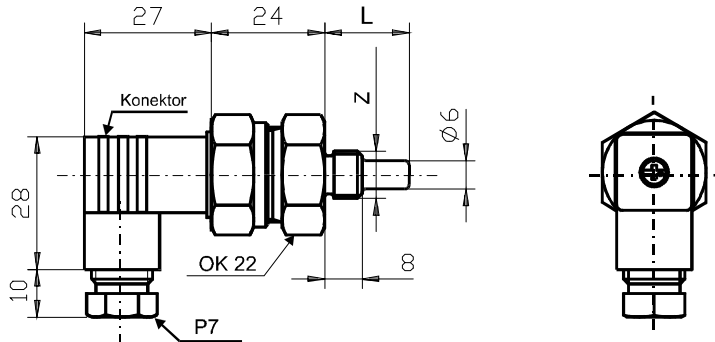


TEMPERATURE SENSOR TSK 10

Gauging sensor Pt100, Ni 1000
 Maximal overpressure 2 MPa
 Degree of coverage IP 65
 Gauging range - 50 °C to 150 °C



Application: This temperature sensor is designed to be screwed in with connector and it is made for measuring all the types of substances in various spheres of industry, where the temperature range and maximal overpressure are sufficient.

Description: The sensor is sunk in heat conductive material in the casing. The sensor connection can be made for 2, 3 or 4 wired. The casing and the union nut are made from stainless steel 17240. The connector enables easy disconnection of incoming line wires.

Technical specification:

Measuring resistors: Resistance temperature sensor **Ni 1000** (5000 ppm/°C), **Ni 1000** (6180 ppm/°C) **Pt100 - A** (3850 ppm/°C according to ČSN IEC 751) , **Pt100 - B** (3850 ppm/°C according to ČSN IEC 751)

Measuring range:	-50°C to 150°C
Working temperature for connector:	-40°C to 125°C
Measuring current:	max 5 mA
Maximal working overpressure:	2 MPa
Response duration:	Air ($\tau = 0,5, 1\text{ms}^{-1}$) 40s
	Oil ($\tau = 0,5, 0,2\text{ms}^{-1}$) 15s
Max. diameter of connecting wires:	0,75 mm ²
Recommended diameter of connecting wires:	3,5 to 6 mm ²
Degree of coverage:	IP 65
Long-term time stability (10 000h/150°C)	0,05%

Order process:

TYPE	SENSOR	Sensor connection	Connection coil	specified length (mm)	Nr. Pieces
↓	TSK10 Ni1000(6180)	2D (2 wires)	M10x1	20	↓
	Ni1000(5000)	3D (3 wires)	M12x1,5	30	
	Pt100-A	4D (4 wires)	G1/4"	50	
	Pt100-B		G1/2"		
↓	↓	↓	↓	↓	↓
TSK10	Pt100-B	2D	M10x1	20	10

Equipment: welded on TSK 10 (iron or stainless steel)